

# LR-1R Series

Access Reader

LRE-1R  
LRM-1R  
LRE-1RD  
LRM-1RD  
LRH-1R  
LREH-1R  
LRMH-1R  
LRE-1RS

User Manual

## CONTENTS

- 1 INTRODUCTION
- 3 CARTON INVENTORY
- 3 INSTALLATION
- 5 X1 - JUMPER SETTINGS
- 6 CONNECTION DIAGRAM

## INTRODUCTION

The LR-1R its series of Standard access control proximity readers with dynamic RGB LumiRing indicator. Customer can choose Stand-BY and Work indication themes. Each reader have 4 themes for stand-by mode and 4 themes for working mode. If reader used with Lumiring controller this themes can changed in any time by master-card without any tool work. If reader used with other access control system themes must be set by jumper settings during installation.

### Features:

- Static protection.
- Reverse power protection.
- Power protection.
- Waterproof coat, conforms to IP 56 (IP65\*)
- Industrial grade components.
- Security screw.
- Safe wall mount.
- Wiegand 26-34 bits output.
- Can read EM card, HID card or both.
- Full color RGB ring indicator.
- 4 Stand-By indication themes.

- 4 Work indication themes.
  - Low temperature resistance (-30 C).
- \* By special order device will be made without terminal block with cable.

### Specification

Power supply:	9-24 VDC
Indicator:	RGB light ring & Beeper
Indication theme:	4 stand-by, 4 reaction
Reader frequency:	125kHz
Standard 125kHz:	EMMARINE
Reading range 125kHz:	6-12cm
Supported Tague 125kHz:	EM 4001 / EM 4012 / HID ISOProx II / HID ProxCard II / TEMIC
Power Consumption:	< 1W
Communication Interface:	Wiegand 26-34 bits / W-BUS
Wiring Distance:	100 m (22 AWG with shielded cable)
Housing Material:	ABS + PC

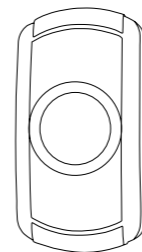
VIDEO MANUAL



CATALOGUE

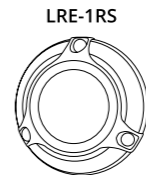


## CARTON INVENTORY



LRE-1R  
LRM-1R  
LRE-1RD  
LRM-1RD  
LRH-1R  
LREH-1R  
LRMH-1R

Reader options



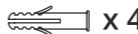
LRE-1RS

Self Tapping Screws



x 4

Wall Anchors



x 4

Security screw



Allen wrench key



Jumper connector



x 5

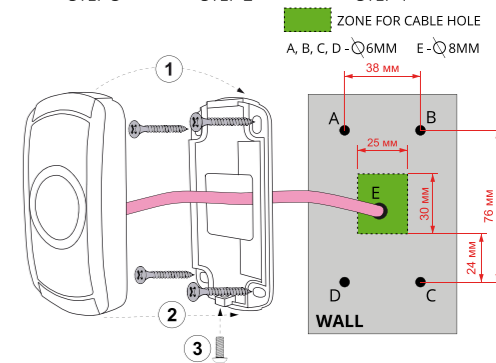
## INSTALLATION

- Remove the back cover from the unit.
- Drill 4 (A, B, C, D) holes or 2 any diagonal holes.
- Put the supplied wall anchor in holes.
- Put connection cable through cable window in back cover.
- Fix the back cover firmly on the wall with 4 flat head screws.
- Attach wires in cable to terminal block by connection diagram.
- Set necessary settings by jumpers.
- Attach unit to the back cover and fix by supplied security screw.

STEP 3

STEP 2

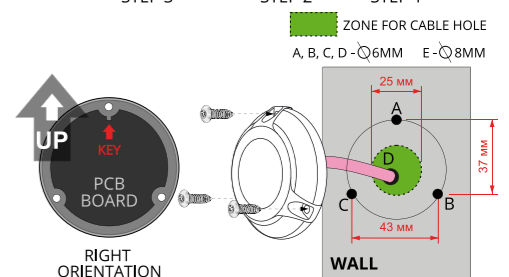
STEP 1



STEP 3

STEP 2

STEP 1



X1 JUMPER SETTINGS & SW1 DIP-SWITCH SETTINGS.

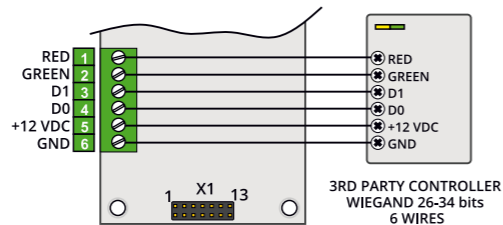
STAND-BY INDICATION THEMES		
JUMPER SET	DIP SWITCH	SETTING
		Theme 1 (default)
		Theme 2
		Theme 3
		Theme 4

READER INTERFACE MODES		
JUMPER SET	DIP SWITCH	SETTING
		W-BUS (default)
		Wiegand 26
		Wiegand 34

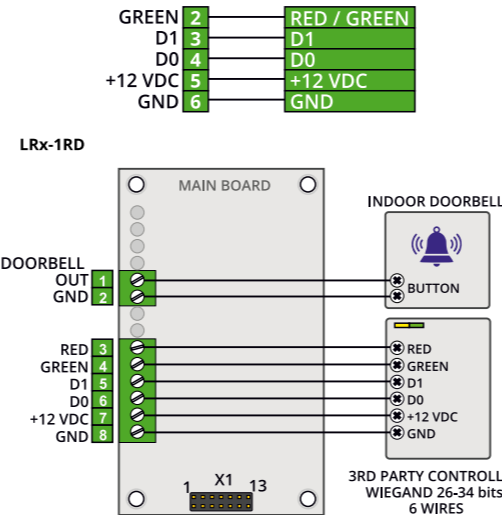
WORK INDICATION THEMES		
JUMPER SET	DIP SWITCH	SETTING
		Theme 1 (default)
		Theme 2
		Theme 3
		Theme 4

CONNECTION DIAGRAM

LRx-1R / LRH-1R / LRxH-1R



For connect to W-BUS controllers must use next scheme:

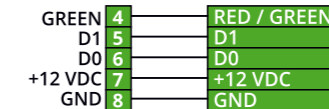


NOTE:  
Commutating ability by doorbell out: 0,7A 12V

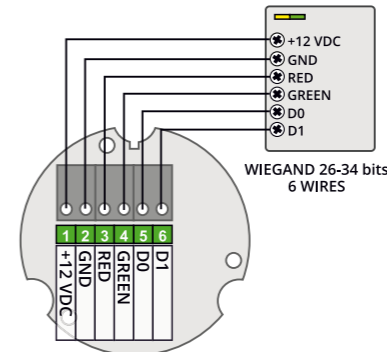


**INTERNAL DOORBELL FUNCTION:**  
Internal doorbell function work only by W-BUS interface.  
Example of use:  
Outside LRE-1RD + Inside LR-1CB  
In this case when someone press doorbell button both devices play doorbell melody.

For connect to W-BUS controllers must use next scheme:



LRE-1CRS  
CONNECT BY WIEGAND 26-34 TO 3RD PARTY CONTROLLER



CONNECT BY W-BUS TO LUMIRING CONTROLLER

