

2026-05-19
V 3.2

MANUAL

AIR-B

(V3.2 Five Wire)



CONTENTS

• Introduction	3
• Device Specifications	4
• Default Device Settings	4
• Device Dimensions	5
• Wire Designation	6
• Installation Recommendations	
◦ Placement and connection	7
◦ Wiring	7
◦ Functionality and setup	7
◦ Precautions and maintenance	7
• Structure of the Setup Menu	8
• Connection Diagram:	
◦ Connection to the ICON-Pro Controller	9
◦ Connection to the ICON Controller	10
◦ Connection to the AIR-CR Controller	11
◦ Connection to the Magnetic Lock	12
• Hardware Reset	13
• For Notes	14
• Safety and Legal Notice	15
• Appendix: Important Notices	16

Introduction

This document provides detailed information on the structure of the device as well as the steps to install and connect it.

It also includes instructions for preventing or troubleshooting many common problems. This guide is for informational purposes only, and the actual product takes precedence in case of any discrepancies.

All instructions, software, and functionality are subject to change without prior notice. The latest version of the manual and additional documentation can be found on our website or by contacting customer support.

The user or installer is responsible for complying with local laws and privacy regulations when collecting personal data while using the product.

FCC Statement

Changes or modifications not expressly approved by the party responsible for compliance could void the user's authority to operate the equipment.

This equipment has been tested and found to comply with the limits for a Class B digital device, pursuant to Part 15 of the FCC Rules. These limits are designed to provide reasonable protection against harmful interference in a residential installation. This equipment generates uses and can radiate radio frequency energy and, if not installed and used in accordance with the instructions, may cause harmful interference to radio communications. However, there is no guarantee that interference will not occur in a particular installation. If this equipment does cause harmful interference to radio or television reception, which can be determined by turning the equipment off and on, the user is encouraged to try to correct the interference by one or more of the following measures:

- Reorient or relocate the receiving antenna.
- Increase the separation between the equipment and receiver.
- Connect the equipment into an outlet on a circuit different from that to which the receiver is connected.
- Consult the dealer or an experienced radio/TV technician for help

This device complies with part 15 of the FCC rules. Operation is subject to the following two conditions (1) this device may not cause harmful interference, and (2) this device must accept any interference received, including interference that may cause undesired operation.

This equipment complies with FCC radiation exposure limits set forth for an uncontrolled environment. This equipment should be installed and operated with minimum distance 20cm between the radiator & your body.

Device Specifications

Voltage:

- 12 or 24 VDC operation
- 0.11A @12 VDC, 0.055A @ 24 VDC current consumption

Outputs:

- One output (open collector) 0.2A @ 12 VDC

Inputs:

- One input (dry contact type) from 0 to 5 volts

Sensor type:

- Laser

Distance:

- 4", 8", 12" or 20" (10, 20, 30, 50 cm)

Indication:

- Two color LEDs, buzzer

Open delay:

- 0.1, 3, 6 or 9 seconds

Dimensions (D x H):

- 2.36" x 0.67" (60 x 17 mm)
- 2.36" x 0.86" (60 x 22 mm) mounting ring

Mounting method:

- Wall mount

Weight:

- 1.59 oz (45 g)

Operation temperature:

- -22°F ~ 158°F (-30°C ~ 70°C)

Ingress protection rating:

- IP 65

Default Device Settings

Distance:

- 4" (10 cm)

Delay:

- 0.1 second

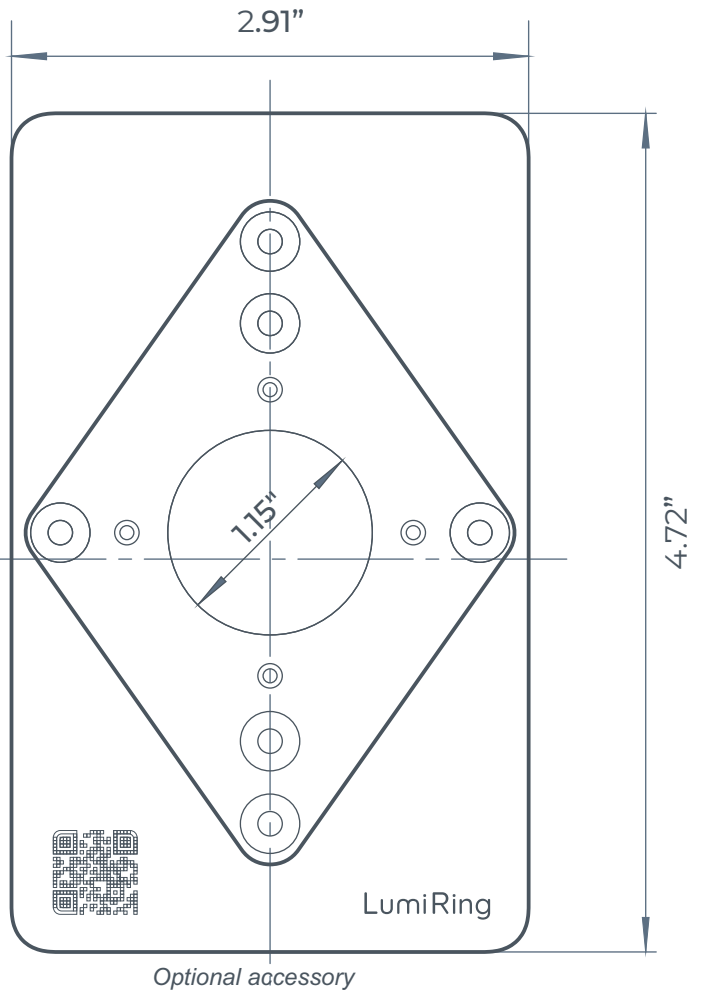
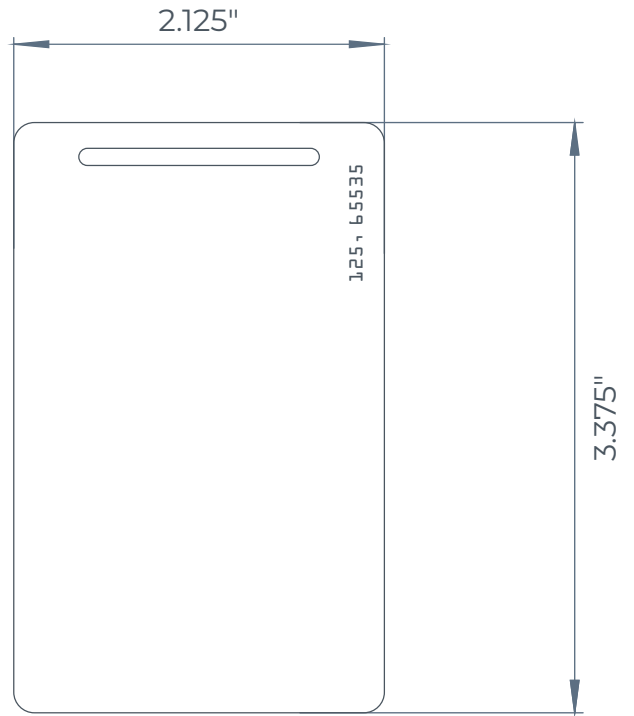
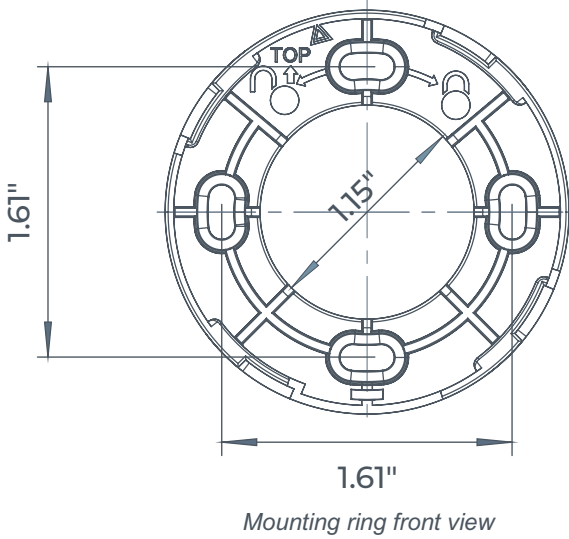
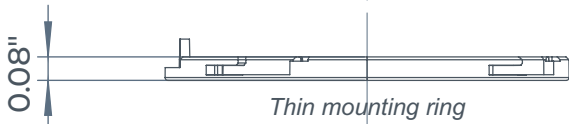
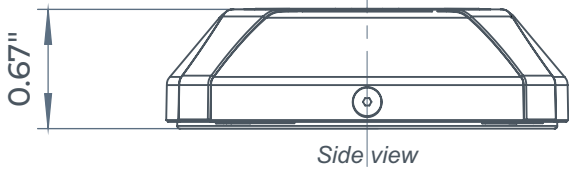
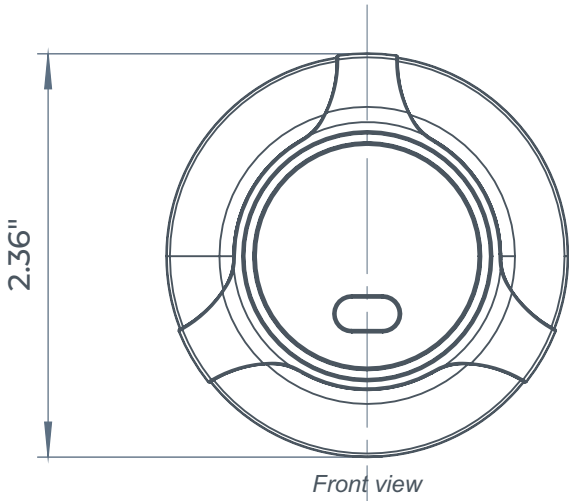
AUX GND (work mode):

- NO

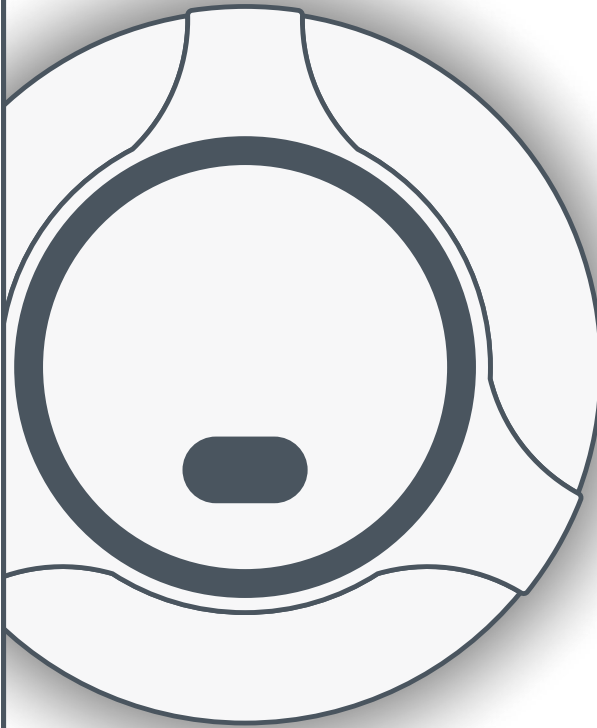
Buzzer:

- Enable

Device Dimension

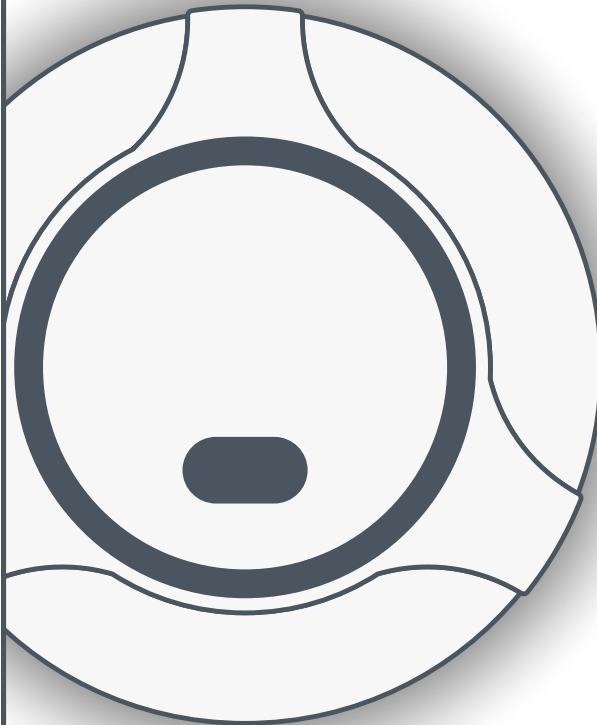


Wire Designation



Red	+VDC
Black	GND
Yellow	AUX Out
Green	Reserved
Blue	G LED

AIR-B
(V3.0 Five Wire)



Red	+VDC
Black	GND
Blue	AUX Out
Green	G LED

AIR-B
(V2.0 Four Wire)

Installation Recommendations

Placement and connection:

- Choose a location for the button that minimizes possible interference from nearby objects or surfaces.
- Do not place the button in locations where accidental actuation may occur, such as near moving objects or in high-traffic areas.
- Do not place the button in direct sunlight. Sunlight may cause false triggering.
- Ensure that the button is positioned at the optimum height for ease of use and detection sensitivity.

Wiring:

- Make all connections with the power off. If it is necessary to control devices with current consumption more than 0.2A @ 12 VDC, use a separate external relay.
- Connect the G LED wire to the reader as shown in the wiring diagrams to synchronize the reader indication with the button indication.

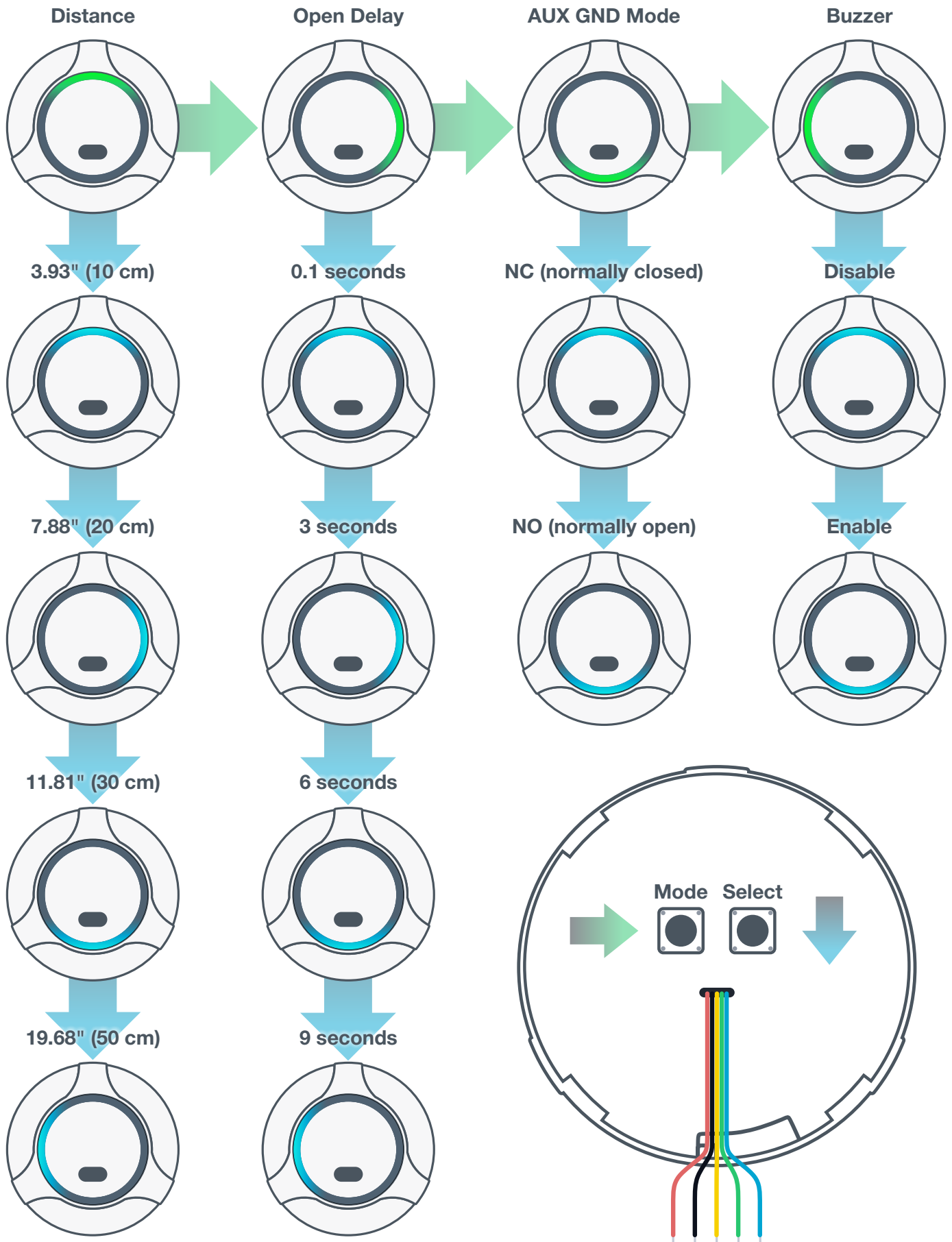
Functionality and setup:

- Before connecting the electric lock, configure parameters such as control output activity duration and initial state (NO/NC).
- When setting sensitivity, determine the balance between button sensitivity and false alarm prevention. Increasing sensitivity may increase the probability of triggering under undesirable conditions, while decreasing sensitivity may result in incomplete response to desired influences.

Precautions and maintenance:

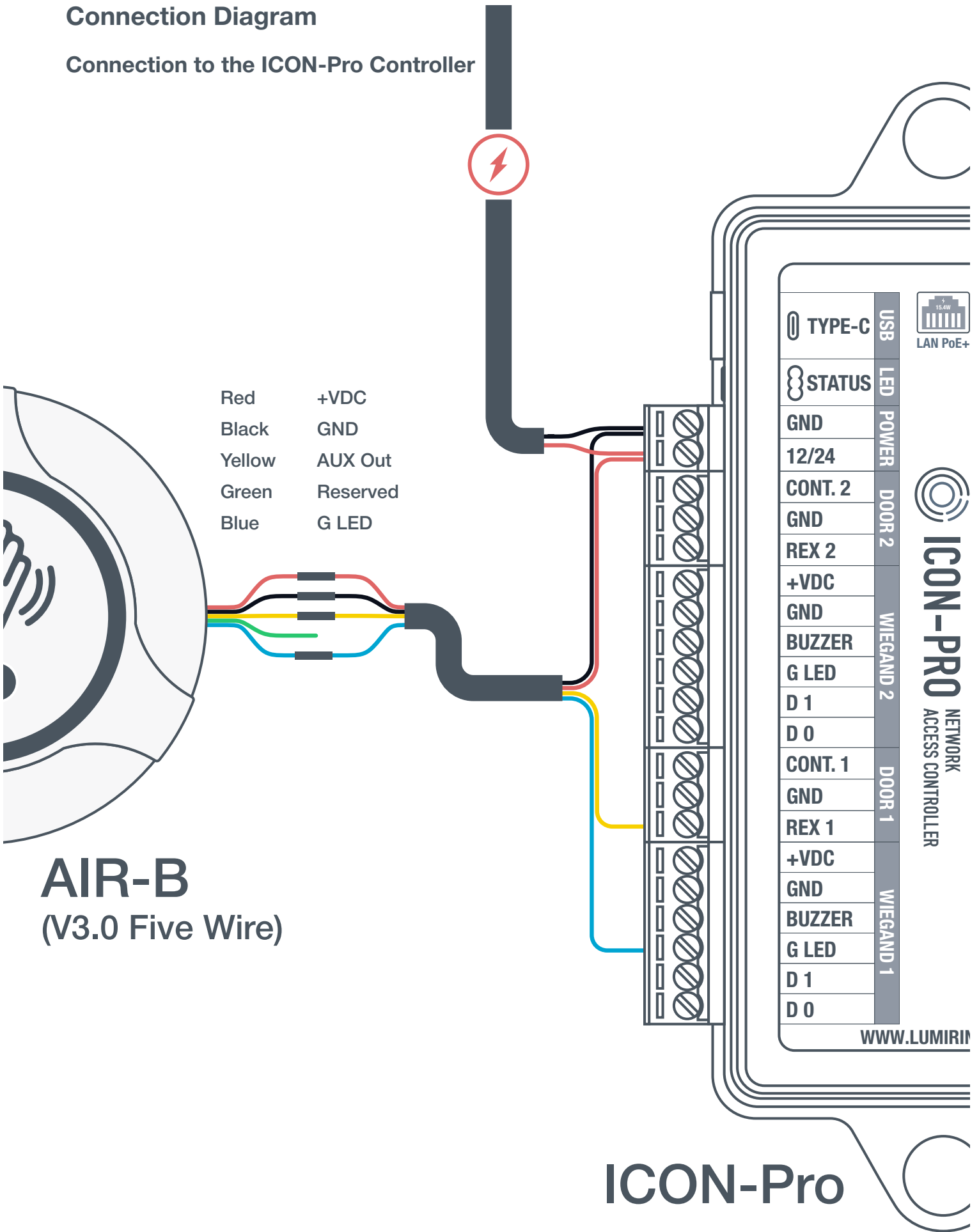
- The unit requires no special maintenance if the installation instructions are followed.
- If the laser sensor is dirty or an obstacle is detected, the unit will activate a light and sound an alarm.
- In case of contamination, gently clean the surface of the button, first with a damp cloth and then with a dry cloth.

Structure of the Setup Menu



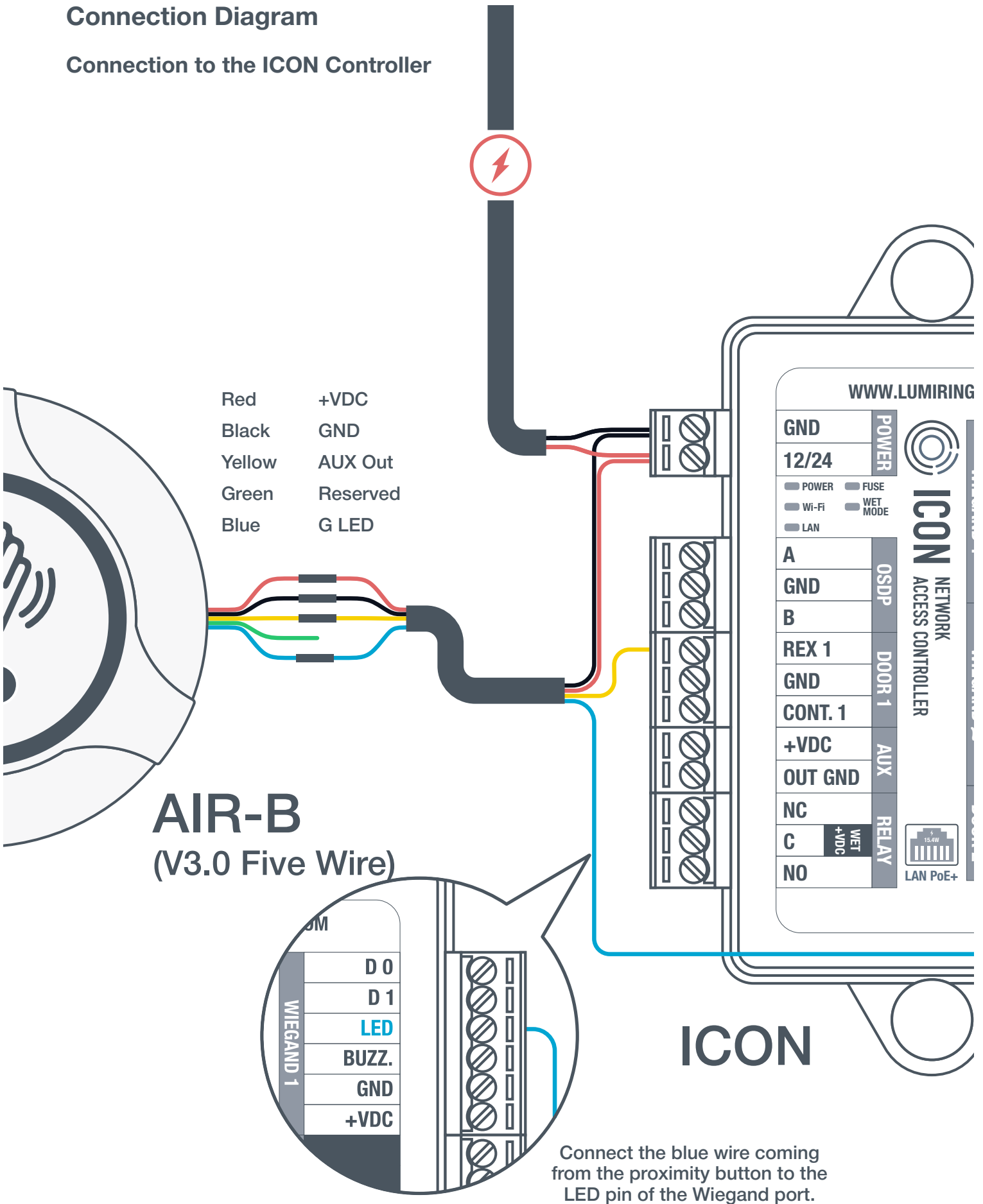
Connection Diagram

Connection to the ICON-Pro Controller



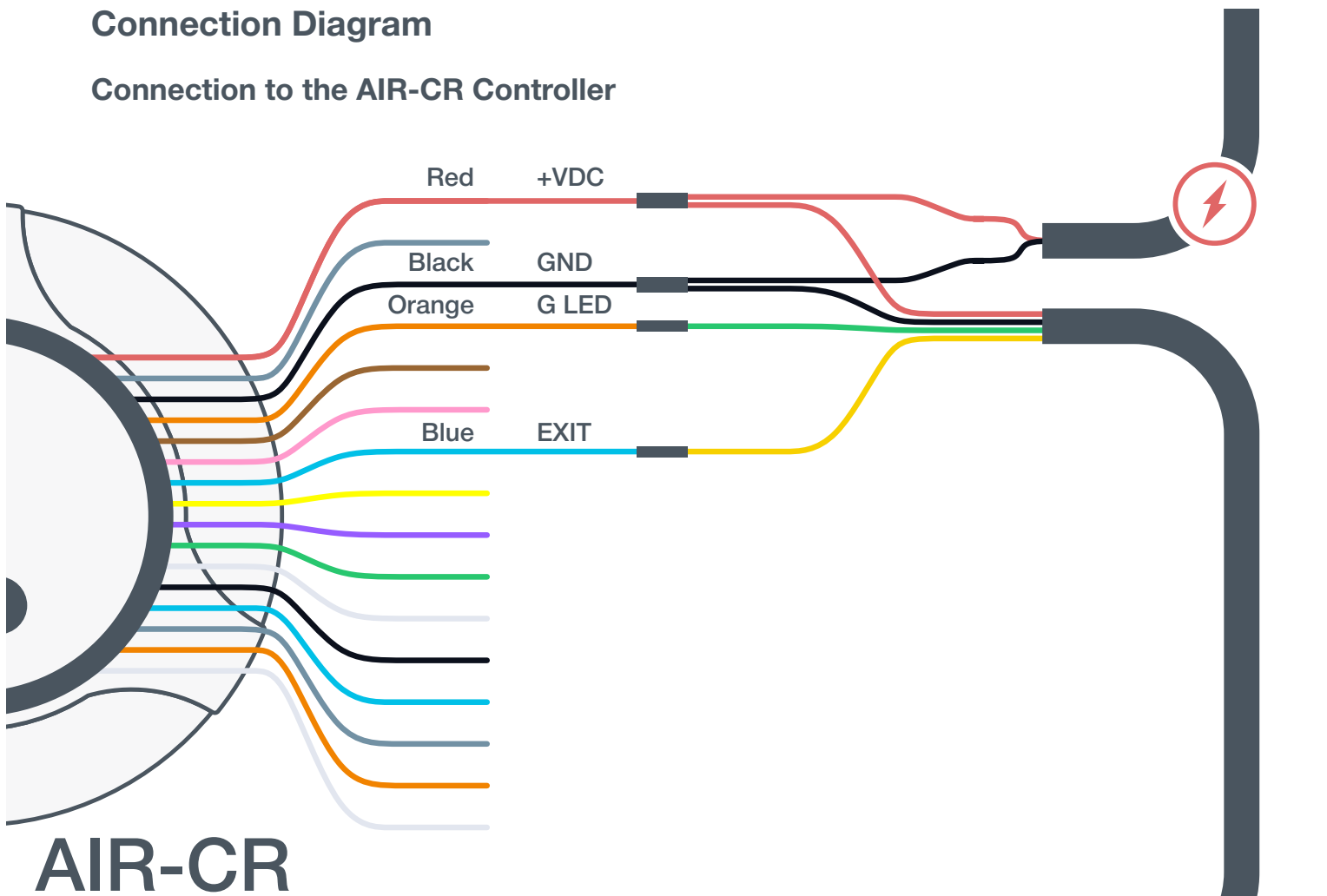
Connection Diagram

Connection to the ICON Controller

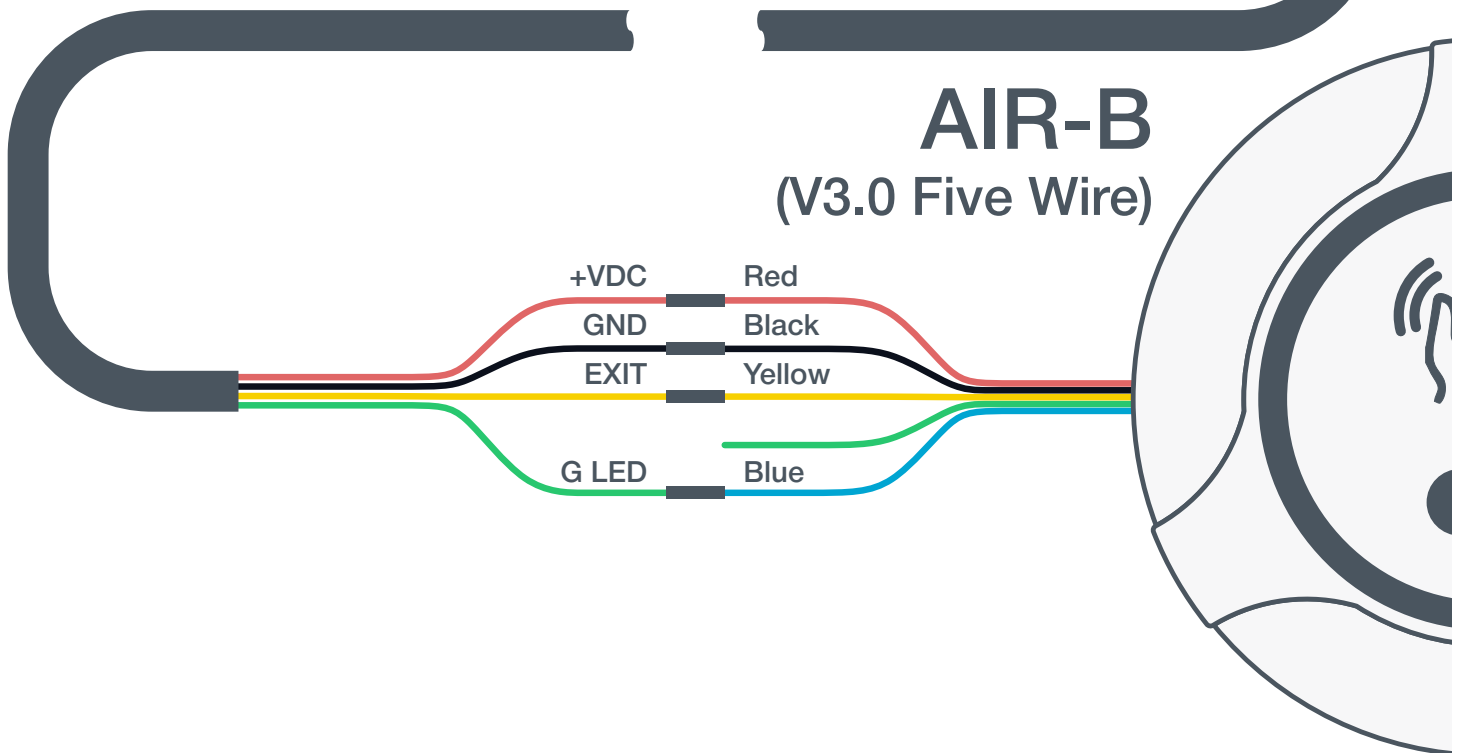


Connection Diagram

Connection to the AIR-CR Controller



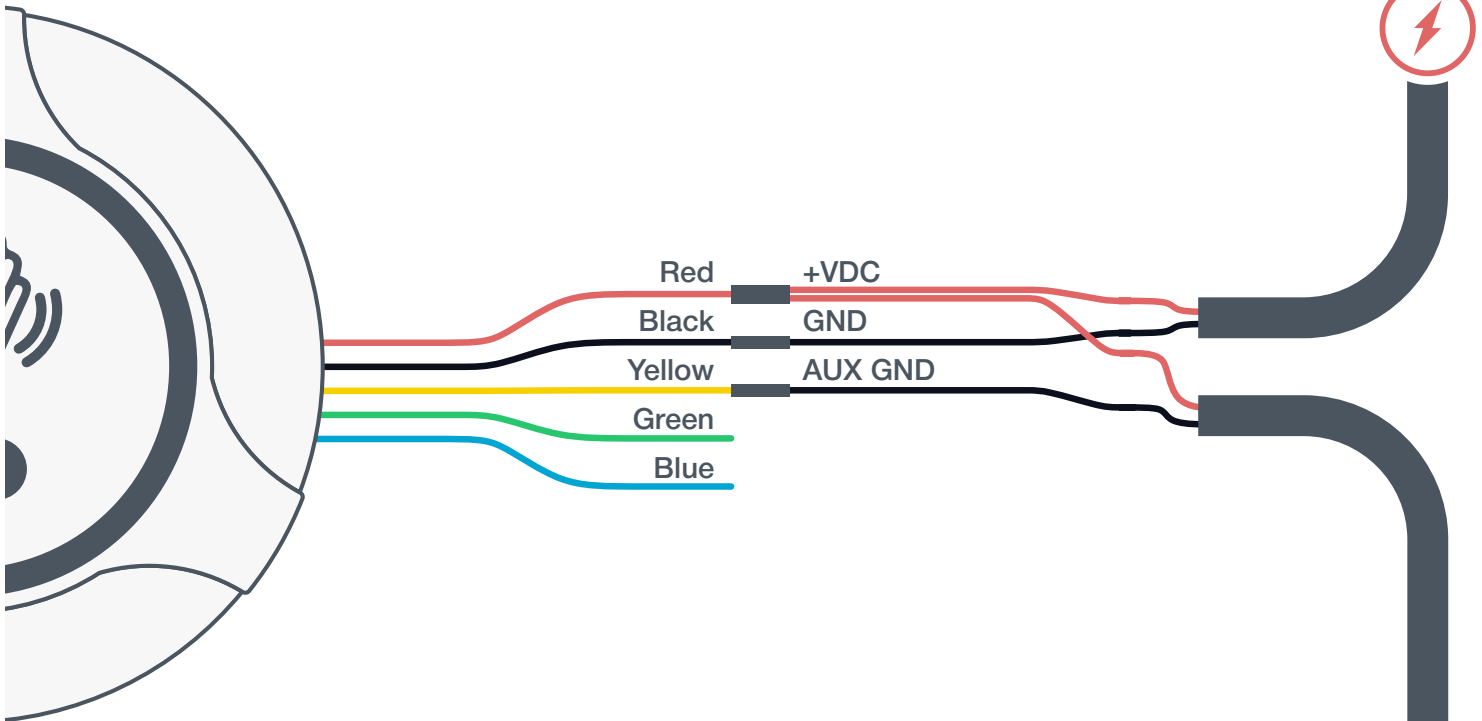
AIR-B (V3.0 Five Wire)



- The wire colors of the cable connecting the controller to the proximity button may vary in reality, and are given as an example.

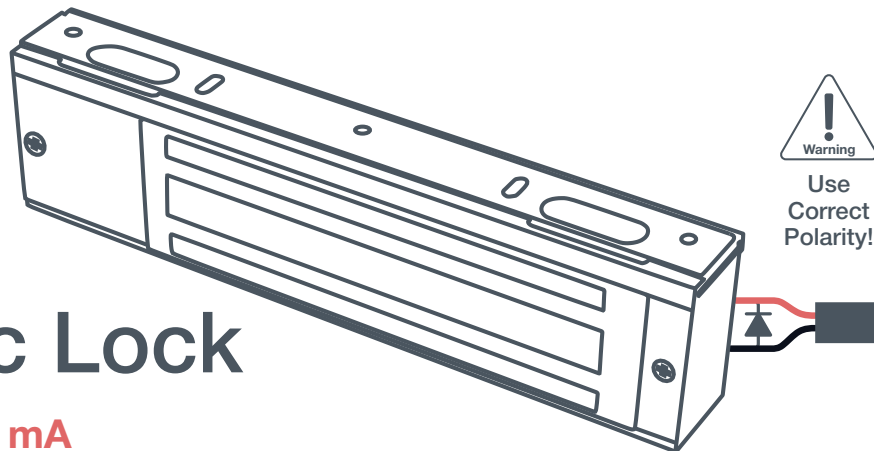
Connection Diagram

Connection to the Magnetic Lock



AIR-B (V3.0 Five Wire)

- Specify the NC (normaly close) type in the AUX GND mode settings to control the magnetic lock.
- Specify the NO (normaly open) type in the AUX GND mode settings to control the electric latch.

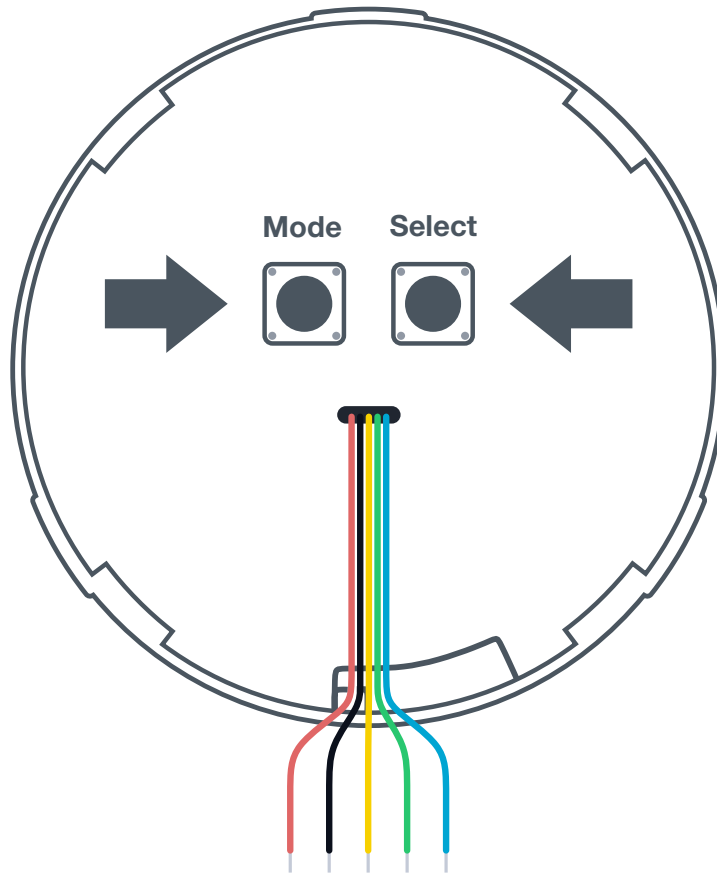


Magnetic Lock

MAX 200 mA

- A protective diode is used to protect the devcie from reverse currents when an electromagnetic or electromechanical lock is triggered.
- The protective diode is connected in parallel with the contacts of the lock.
- **THE DIODE IS CONNECTED IN REVERSE POLARITY.**
- The diode must be installed directly on the contacts of the lock. Suitable diodes include SR5100, SF18, SF56, HER307, and similar.
- Instead of diodes, varistors 5D330K, 7D330K, 10D470K, or 10D390K can be used, for which there is no need to observe polarity.

Hardware Reset



Hardware reset

1. Make sure that the device is connected to a power source.
2. Press and hold the "Mode" and "Select" buttons simultaneously.
3. Wait for the device to emit one short beep and a long beep for 5 seconds.
4. Release the buttons immediately after the beep ends.
5. Disconnect the unit from the power source and reconnect it.
6. The hardware reset is complete. The device is ready for operation.

For Notes

PROFESSIONAL / COMMERCIAL USE ONLY

This product is intended, marketed, and sold only for professional installation and commercial, industrial, institutional, or business access-control use. It is not intended, marketed, or sold as a consumer product. Any purchase or use confirms buyer is acting for commercial, professional, industrial, institutional, or business purposes.

SAFETY AND APPLICATION LIMITATIONS

This product is an access-control component. It is not a complete access-control system, life-safety device, fire alarm, emergency egress device, or UL 294-listed system unit.

Installation, system design, equipment selection, fail-safe/fail-secure configuration, code compliance, AHJ approval, and testing are the sole responsibility of installer/integrator/system designer.

This product must not be connected to critical entry, exit, barrier, elevator, gate, or emergency egress control as the sole release mechanism without alternate exit means and code approval.

WIRELESS PERFORMANCE

Wireless communication may be affected by RF interference, jamming, distance, obstacles, and site conditions. Range and performance are site-dependent and not guaranteed. Do not use as sole communication path for life-safety or emergency-egress functions.

CYBERSECURITY

Default credentials are for initial setup only and must be changed before deployment. Installer/operator is responsible for device security and credential management.

FIRMWARE UPDATES

Firmware updates may change device behavior. Complete system must be tested before return to service. Do not interrupt updates.

EXPORT CONTROL

This product may be subject to U.S. export control and sanctions laws. Export, re-export, transfer, or use contrary to applicable law is prohibited.

WARRANTY EXCLUSIONS

Warranty does not cover damage, malfunction, or performance issues caused by surge, lightning, water intrusion, incorrect voltage, reverse polarity, improper wiring, improper grounding, unauthorized modifications, abuse, misuse, failure to follow documentation, or use outside rated conditions.

This product is sold subject to New York law.

1. DOCUMENT PRECEDENCE

In any conflict between marketing materials and technical documentation, the current technical documentation prevails.

2. PRODUCT AUDIENCE AND BUYER RESPONSIBILITY

Lumiring products are professional access control devices for system integrators and technically proficient users. Buyer is responsible for verifying product suitability, functionality, compatibility, and compliance with requirements before purchase and deployment.

3. THIRD-PARTY INTEGRATION AND COMPONENTS

Integration with third-party platforms (Home Assistant, Node-RED, custom servers, etc.) requires buyer-side configuration via documented APIs. Compatibility with third-party readers, locks, controllers, and software depends on third-party manufacturer implementation and is buyer responsibility to verify. Lumiring is not responsible for third-party product compatibility, changes, or functionality.

4. RETURNS AND RMA PROCESS

Returns require prior RMA authorization from Lumiring and must be initiated within the period stated on the invoice or applicable warranty terms. Lumiring may require reasonable troubleshooting before issuing an RMA.

An RMA or accepted return does not mean warranty coverage, refund, or replacement approval. Buyer pays return shipping, duties, fees, taxes, and insurance unless Lumiring agrees otherwise in writing. Products must be returned in reasonable condition with applicable accessories unless Lumiring authorizes otherwise.

5. INTERNATIONAL SALES

For sales outside the United States, buyer is responsible for all customs duties, import taxes, VAT, brokerage fees, and compliance with local import/export regulations. Lumiring does not reimburse duties, taxes, shipping or fees paid by buyer.

6. WARRANTY AND LIMITATION OF LIABILITY

Complete warranty terms, return process, exclusions, and liability limitations are subject to Lumiring Inc Terms And Conditions, Limited Warranty, Limited Liability, and Limited License.

To the maximum extent permitted by law, Lumiring is not liable for loss of use, business interruption, lost revenue, lockout, security breach, loss of data, labor, removal/reinstallation costs, or consequential, incidental, indirect, special, or punitive damages. Maximum liability is limited to amount paid for the affected product.

7. GOVERNING TERMS

This product is sold subject to Lumiring Inc Terms and Conditions, Limited Warranty, Limited Liability, and Limited License, and governed by New York law.